

# Cameron Carbon

INCORPORATED

Activated Carbon  
& Related Technology

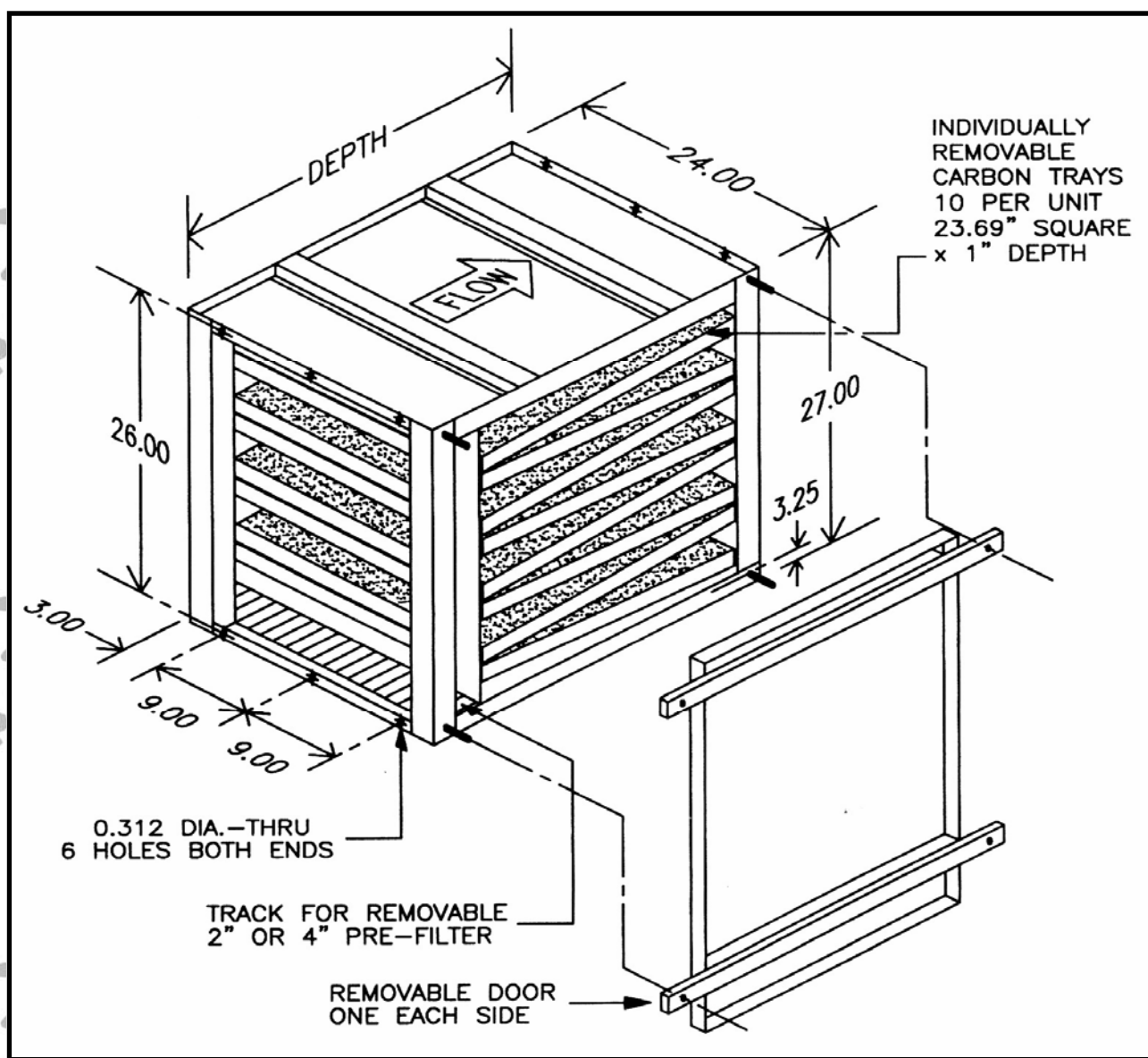
P.O. Box 995 Havre de Grace MD 21078 USA

Toll Free: (800) 394-6844

Tel: +1 (410) 942-0240 • Fax: +1 (410) 942-0242

www.cameroncarbon.com • sales@cameroncarbon.com

## Side Access Housing VBS-2000



*This information has been gathered from standard reference materials and/or test procedures and is believed to be true and accurate. It is offered solely for your consideration and verification. None of the information presented shall be construed as constituting a warranty or representation, expressed, written, or implied, for which we assume legal responsibility or that the information or goods described is fit for any particular use either alone or in combination with other goods or processes, or that its use does not conflict with existing patent rights. No license is granted to infringe on any patent rights or practice any patent inversion.*