

Cameron Carbon

INCORPORATED

Activated Carbon
& Related Technology

P.O. Box 995 Havre de Grace MD 21078 USA

Toll Free: (800) 394-6844

Tel: +1 (410) 942-0240 • Fax: +1 (410) 942-0242

www.cameroncarbon.com • sales@cameroncarbon.com

| Model | Flow (gpm) | EBCT (min) | Diameter A (in) | Sideshell B (in) | OAH (in approx) | Carbon (lb) | Full Vessel (lb) |
|---------------|------------|------------|-----------------|------------------|-----------------|-------------|------------------|
| LC2460HP-450 | 15 | 7.5 | 24 | 60 | 75 | 450 | 700 |
| LC2472HP-525 | 15 | 8.9 | 24 | 72 | 87 | 525 | 900 |
| LC3060HP-675 | 25 | 6.7 | 30 | 60 | 79 | 675 | 1,050 |
| LC3660HP-1000 | 35 | 7.5 | 36 | 60 | 84 | 1,000 | 1,650 |
| LC4260HP-1400 | 50 | 7.0 | 42 | 60 | 88 | 1,400 | 2,475 |
| LC4860HP-1850 | 60 | 7.8 | 48 | 60 | 95 | 1,850 | 2,900 |
| LC5460HP-2350 | 80 | 7.4 | 54 | 60 | 97 | 2,350 | 3,650 |
| LC6060HP-3000 | 100 | 7.6 | 60 | 60 | 103 | 3000 | 4800 |
| LC6672HP-4200 | 115 | 9.2 | 66 | 72 | 117 | 4,200 | 6,600 |
| LC7272HP-5000 | 150 | 8.4 | 72 | 72 | 119 | 5,000 | 7,700 |

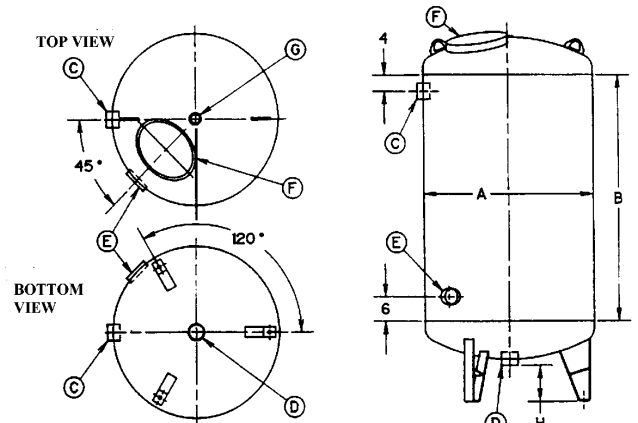
Flow rate based upon hydraulic loading rate of 5 gpm/ft² bed face area.

EBCT = Empty Bed Contact Time

Carbon and full vessel weights are approximate and based on average media bulk density of 30 lb/ft³

Optional 50 psig flat base forkliftable skid mounted units, add 6" to sideshell length & change model number from "HP" to "FB" (example: LC3660HP-1000 becomes LC3666FB-1000)

| Dia. (in) | C & D Fittings | E Opening | F Opening | G (in) Spud | H (in) Distance |
|------------|----------------|------------------|------------------|-------------|-----------------|
| 24, 30 | 2" NPT | 4" x 6" handhole | 4" x 6" handhole | 1.25 | 6 |
| 36, 42 | 3" NPT | 4" x 6" handhole | 11" x 15" manway | 2 | 9 |
| 48, 66, 72 | 4" NPT | 4" x 6" handhole | 11" x 15" manway | 2 | 12 |



G = VENT
C = INLET
D = DRAIN
E & F = ACCESS