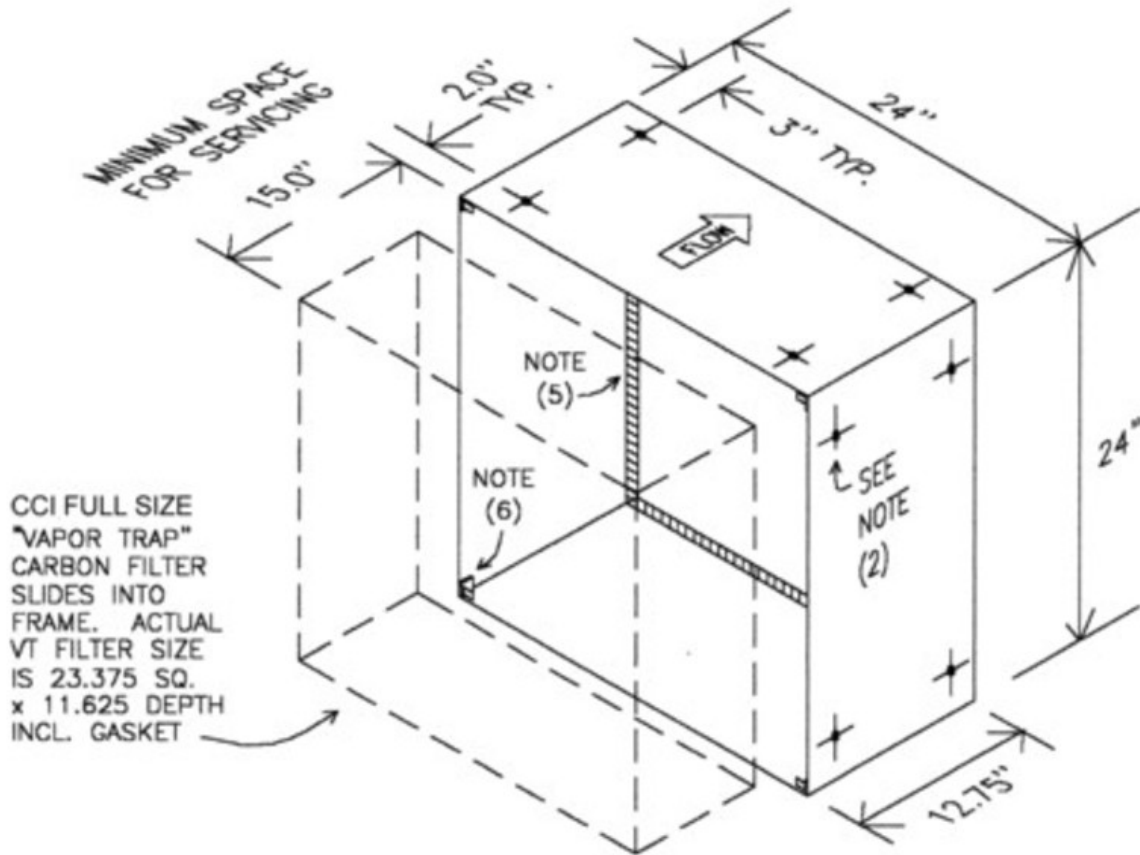


MODEL FAFF FRONT ACCESS FILTER FRAME



FEATURES AND NOTES

1. Frames can be installed as front or rear access.
2. Modular frames bolt or pop-rivet together to form banks of any capacity. Four (4) X 0.215" dia. holes are provided on sides, top & bottom to allow easy field connection of modular frames to each other.
3. Frames can be custom sized to fit into existing air handlers and ducts.
4. When attaching or stacking frames, use a sealant or gasketing between the frames to avoid air bypass. Gaskets, if used, must be applied to front and back edges of housing to keep joints between frames parallel.
5. Outlet end of frame has a 3/4" flange both ways to provide a sealing surface for the gasket on the outlet end of the box style CCI Vapor Trap carbon filter. The VT filter slides into the holding frame.
6. The Vapor Trap filter is pushed toward the back of the housing to seal the gasket by four (4) spring clips. The clips are mounted in each corner as shown.

MATERIAL OF CONSTRUCTION

16 GA. COLD ROLLED
CARBON STEEL WITH
ALUMINIZED FINISH

PROPRIETARY DRAWING		Cameron Carbon Inc.	
DRAWING MAY NOT BE USED OR REPRODUCED WITHOUT WRITTEN AUTHORIZATION		P.O. Box 18810	
DIMENSIONAL TOLERANCE = +/- 0.030 IN.		Baltimore, MD 21206	
		Tel: (410) 942-0240 Fax: (410) 942-0242	
		DRAWN	JMB
		CHECKED	PJL
		APPROVED	RAH
REV.	DATE	BY	REMARKS
---	06/23/03	JMB	ORIGINAL ISSUE
TITLE		MODEL FAFF - FRONT ACCESS FILTER FRAME (SHOWN FOR "VT" = VAPOR TRAP CARBON FILTERS)	
SCALE		N.T.S.	
DWG. NO.		FAFF-VT	